

FEATURES:

- 1X1 Tab-UP, 1" Long RJ45 with internal magnetics
- 16pin signal pin versions available
- Available with LEDs
- Suitable for CAT 5 & 6 Fast Ethernet Cable or better UTP
- Internal magnetics are 100% electrically tested for HI-POT and functionality
- Meet IEEE 802.3af standards with 350mA
- Meet IEEE 802.3at standards with 720mA
- Meet IEEE 802.3bt standards with 1A

YUAN DEAN SCIENTIFIC



**RJ45 Integrated Jack
56F(2.5G PoE) SERIES**

With Magnetics

Single Port

2.5G Base-T

PoE/PoE+/PoE++

TAB Up



Electrical Specifications@25°C-Operating Temperature 0°C to 70°C

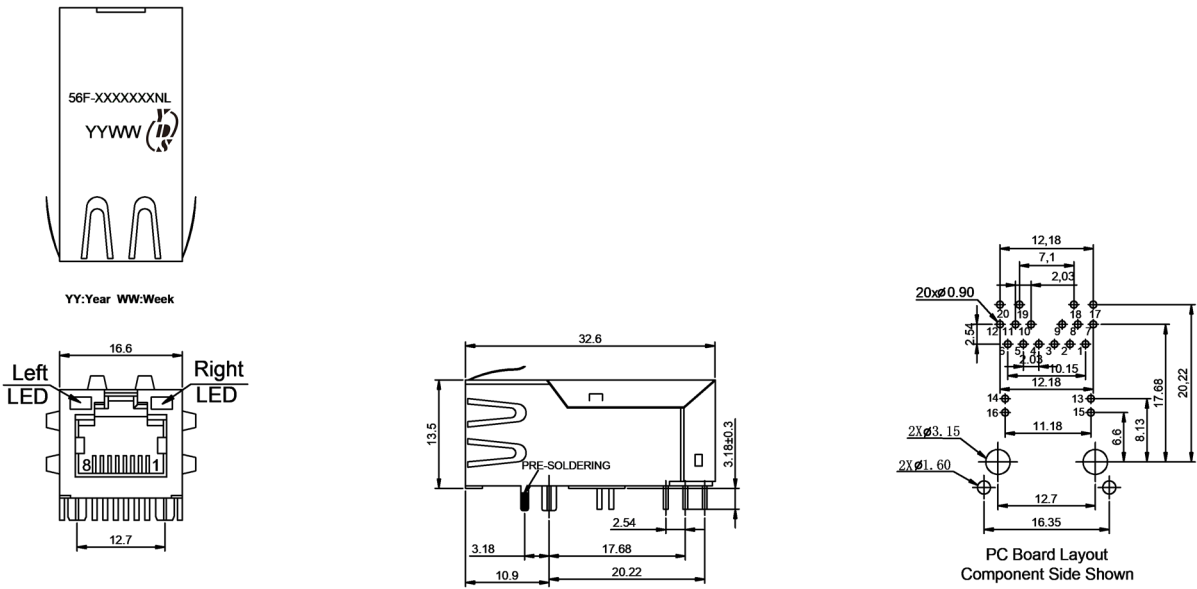
Part Number	Turns Ratio (±3%)	LEDs	Insertion Loss (dB MAX)		Return Loss (dB MIN)		Crosstalk (dB TYP)		DCMR (dB TYP)		CMR (dB TYP)	CDMR (dB TYP)				POE Current	Hipot (Vdc) @60Hz
			1-50 MHz	50-125 MHz	1-40 MHz	40-200 MHz	1-125 MHz	125-200 MHz	1-10 MHz	10-200 MHz	1-125 MHz	1 MHz	50 MHz	100 MHz	200 MHz		
56F-1801DDD2NL	1CT:1CT	G&Y/ G&Y	-0.5	-1.0	-20	-20+ 15log(f/40MHz)	-30	-25	-48	-48+ 19log(f/10MHz)	-35	-30	-30	-27	-24	720mA	2250
56F-18012DDD2NL	1CT:1CT	G&Y/ G&Y	-0.5	-1.0	-20	-20+ 15log(f/40MHz)	-30	-25	-48	-48+ 19log(f/10MHz)	-35	-30	-30	-27	-24	350mA	2250



Electrical Specifications@25°C-Operating Temperature -40°C to 85°C

Part Number	Turns Ratio (±3%)	LEDs L/R	Insertion Loss (dB MAX)			Return Loss (dB MIN)		Crosstalk (dB TYP)		DCMR (dB TYP)	CMR (dB TYP)	CDMR (dB TYP)				POE Current	Hipot (Vdc) @60Hz
			1-50 MHz	50-125 MHz	1-40 MHz	40-200 MHz	1-125 MHz	125-200 MHz	1-10 MHz	10-200 MHz	1-125 MHz	1 MHz	50 MHz	100 MHz	200 MHz		
56F-1802DDD2NL	1CT:1CT	G&Y/ G&Y	-0.5	-1.0	-20	-20+	-30	-25	-48	-48+	-35	-30	-30	-27	-24	350mA	2250
56F-1803DGDZ2NL	1CT:1CT	G&Y/ G&Y	-0.5	-1.0	-20	-20+	-30	--	--	--	-30dB (30-200MHz)	-45+f/35dB(10-125MHz)				1A	2250

Mechanical and Dimension



UNIT: mm Unless otherwise specified, all tolerances are ±0.25

Schematics

