

FEATURES :

- 4PIN SIP & 8PIN DIL Package
- High Efficiency up to 85%.
- Unregulated Output Types
- Internal SMD Construction
- No External Component Required
- Operating Temperature:-40°C TO +85°C
- Industry Standard Pinout

Specifications typical at TA=25°C, nominal input voltage and rated output current unless otherwise specified

Part Number	Output Voltage	Output Current	Efficiency	Package Style
	Vdc	mA	%TYP	"X"
11D-XXS03N3KV	3.3	76	65	1
11D-XXS05N3KV	5	50	65	1
11D-XXS09N3KV	9	28	67	1
11D-XXS12N3KV	12	21	70	1
11D-XXS15N3KV	15	16	70	1
11D-XXS24N3KV	24	10	70	1
11D-XXS03NX3KV	3.3	76	65	2/3/4/5
11D-XXS05NX3KV	5	50	65	2/3/4/5
11D-XXS09NX3KV	9	28	70	2/3/4/5
11D-XXS12NX3KV	12	21	70	2/3/4/5
11D-XXS15NX3KV	15	16	70	2/3/4
11D-XXS24NX3KV	24	10	70	2/3/4
11D-XXD03NX3KV	±3.3	±38	65	2/3
11D-XXD05NX3KV	±5	±25	65	2/3
11D-XXD09NX3KV	±9	±14	70	2/3
11D-XXD12NX3KV	±12	±10	70	2/3
11D-XXD15NX3KV	±15	±8	70	2/3
11D-XXD24NX3KV	±24	±5	70	2/3

Note :

- 1."XX" Is Input Voltage:03=3.3Vdc,05=5Vdc,09=9Vdc, 12=12Vdc, 15=15Vdc,24=24Vdc
- 2.Over 15V.24V input voltage using the 1/2/3/4 Package.
- 3.The input voltage increases, there will be an increase in efficiency.

Input Specifications

Parameters	Conditions	Min	Typ	Max	Units
Voltage Tolerance	Vo,Io Nom			±10	%
Filter	Capacitor				

YUAN DEAN SCIENTIFIC



DC-DC Converter

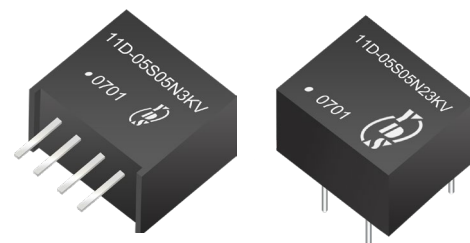
11D-3KV SERIES

0.25Watt

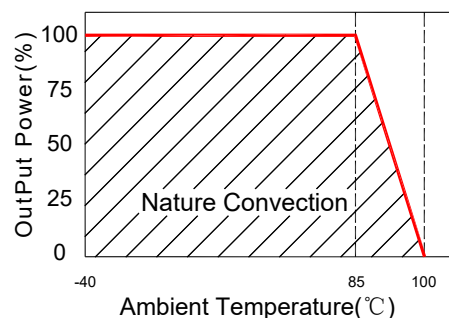
3KV Isolated

Single & Dual Output

SIP4 & DIL8



Temperature Derating Graph



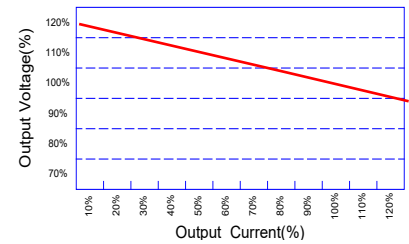
Output Specifications

Parameters	Conditions	Min	Typ	Max	Units
Voltage Tolerance	100% full load			±5	%
Short Circuit Protection	Short Term			1	Sec
Line Regulation	For 1.0% OF Vin		1.2		%
Load Regulation	3.3V,5V (10% To 100% F.L)			15	%
Load Regulation	9V,12V,15V,24V (10% To 100% F.L)			10	%
Ripple & Noise	BW=DC To 20MHz			100	mVp-p
Transient response setting time	50% load step change		350		us

General Specifications

Parameters	Conditions	Min	Typ	Max	Units
Isolation Resistance	500Vdc	1000			MΩ
Switching Frequency	Full load, nominal input		100		KHz
Operating Temperature		-40		+85	°C
Humidity	Non Condensing			95	%
Cooling	Free air Convection				
Case material	DAP				
MTBF	MIL-HDBK-217F@25°C	3500000			Hours
Weight	Package 1/2/3/4/5	1.5/1.5/1.9/1.9/1.1			g
Dimensions	Package 1	11.50x6.00x10.00			mm
Dimensions	Package 2	12.70x10.16x6.80			mm
Dimensions	Package 3	12.70x10.16x7.50			mm
Dimensions	Package 4	11.50x7.50x10.00			mm
Dimensions	Package 5	11.50x6.0x7.50			mm

Tolerance Envelope Graph

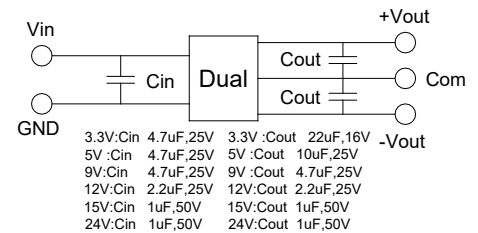
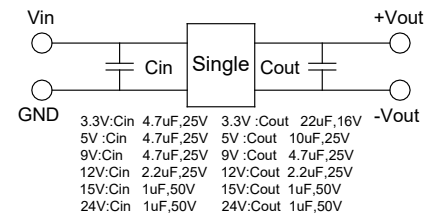


Part Number

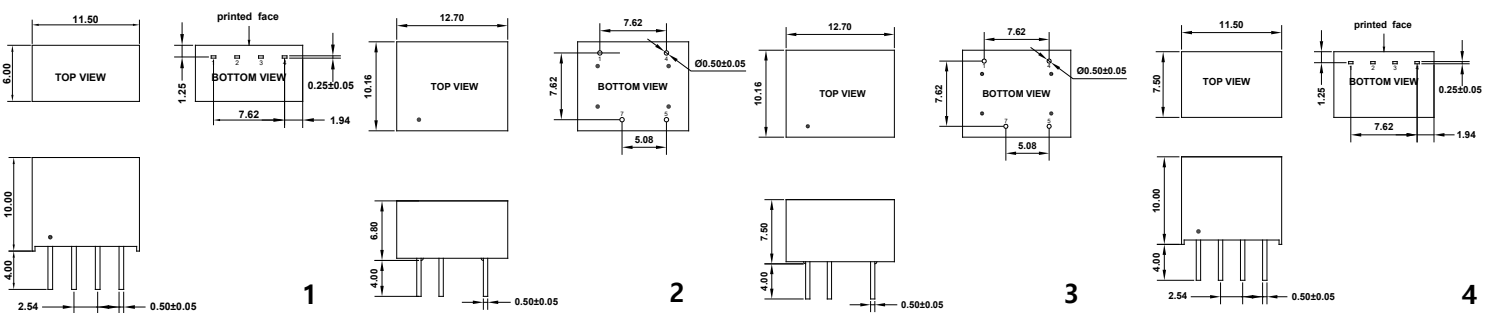
11D - 05 S 05 N 2 3KV

A:Series
B:Input Voltage
C:Single(S)/Dual(D) Output
D:Output Voltage
E:Unregulated(N)
F:Package
G:Isolation Voltage

Recommended Test Circuit



Markings and Dimensions



Unit: mm Unless otherwise specified, all tolerances are ±0.25

PIN Connection

PIN	1	2	3	4	5	6	7	8
Single(4Pin)	-Vin	+Vin	-Vout	+Vout				
Single(8Pin)	-Vin	No Pin	No Pin	+Vin	+Vout	No Pin	-Vout	NC
Dual(8Pin)	-Vin	No Pin	No Pin	+Vin	+Vout	No Pin	Com	-Vout

