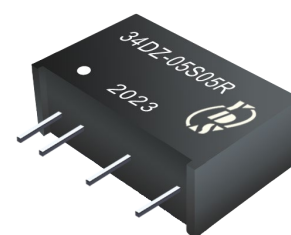
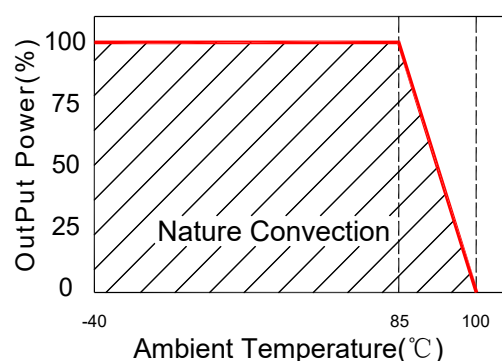


FEATURES :

- 2:1 Wide Input Voltages Range
- 6PIN SIP Package
- High Efficiency up to 81%
- Regulated Output Types
- Internal SMD Construction
- No External Component Required
- Operating Temperature: -40°C TO +85°C
- Industry Standard Pinout

Specifications typical at TA=25°C, nominal input voltage and rated output current unless otherwise specified

Part Number	Input Voltage Range	Output Voltage	Output Current	Efficiency	Capacitive Load(μF)
	Vdc	Vdc	mA	%TYP	Max.
34DZ-05S05R	4.5-9	5	200	76	1680
34DZ-05S12R	4.5-9	12	84	79	820
34DZ-05S15R	4.5-9	15	67	80	680
34DZ-05S24R	4.5-9	24	42	80	470
34DZ-12S05R	9-18	5	200	78	1680
34DZ-12S12R	9-18	12	84	80	820
34DZ-12S15R	9-18	15	67	81	680
34DZ-12S24R	9-18	24	42	80	470
34DZ-24S05R	18-36	5	200	78	1680
34DZ-24S12R	18-36	12	84	80	820
34DZ-24S15R	18-36	15	67	80	680
34DZ-24S24R	18-36	24	42	81	470
34DZ-48S05R	36-75	5	200	76	1680
34DZ-48S12R	36-75	12	84	78	820
34DZ-48S15R	36-75	15	67	78	680
34DZ-48S24R	36-75	24	42	77	470
34DZ-05D12R	4.5-9	±12	±42	77	±470
34DZ-05D15R	4.5-9	±15	±34	79	±330
34DZ-12D12R	9-18	±12	±42	79	±470
34DZ-12D15R	9-18	±15	±34	80	±330
34DZ-24D12R	18-36	±12	±42	80	±470
34DZ-24D15R	18-36	±15	±34	79	±330
34DZ-48D12R	36-75	±12	±42	77	±470
34DZ-48D15R	36-75	±15	±34	77	±330

YUAN DEAN SCIENTIFIC**DC-DC Converter
34DZ SERIES****1Watt****1.5KV Isolated****2:1 Input Voltages Range****Single & Dual Output****SIP6****Temperature Derating Graph**

Input Specifications

Parameters	Conditions	Min	Typ	Max	Units
Voltage Range	Vo,Io Nom			2:1	
Filter	Capacitor				

Output Specifications

Parameters	Conditions	Min	Typ	Max	Units
Voltage Tolerance	100% full load			±2	%
Short Circuit Protection	Continuous with auto recovery				
Line Regulation			±0.2		%
Load Regulation	Single 0% to 100% Load		±1.0		%
	Dual 0% to 100% Load		±2.0		%
	Dual 5% to 100% Load		±1.0		%
Ripple & Noise	Single Output BW=DC To 20MHz			100	mVp-p
	Dual Output BW=DC To 20MHz			150	mVp-p

General Specifications

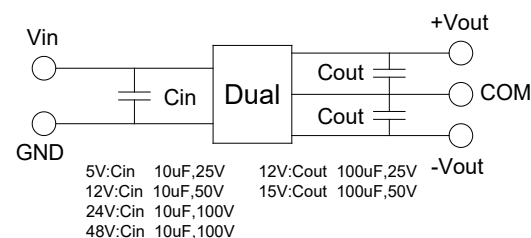
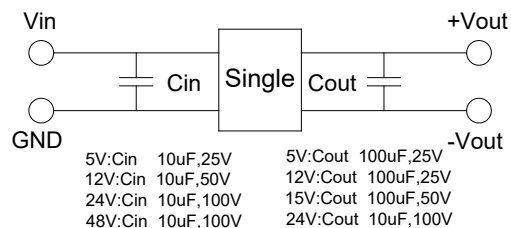
Parameters	Conditions	Min	Typ	Max	Units
Isolation Resistance	500Vdc	1000			MΩ
Switching Frequency	Full load, nominal input		200		KHz
Operation Temperature		-40		+85	°C
Humidity	Non Condensing			95	%
Cooling	Free air Convection				
Case Material	DAP				
MTBF	MIL-HDBK-217F @25°C	1500000			Hours
Weight			3.0		g
Dimensions		17.0x7.62x11.0			mm

Part Number

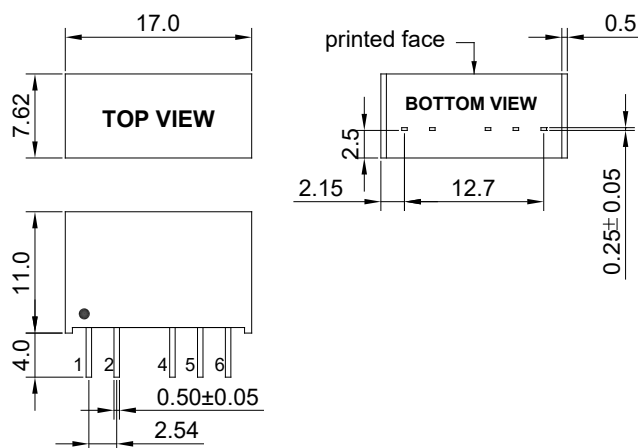
34DZ - 05 S 05 R
A B C D E

A:Series
B:Input Voltage
C:Single(S)Dual(D)
D:Output Voltage
E:Regulated(R)

Recommended Test Circuit



Markings and Dimensions



UNIT:mm Unless otherwise specified.all tolerances are ±0.25

PIN Connection

PIN	1	2	4	5	6
Single	-Vin	+Vin	+Vout	NIO PIN	-Vout
Dual	-Vin	+Vin	+Vout	Common	-Vout