

FEATURES:

- For T1/CEPT Telecom applications
- Provide 1500Vrms isolation
- Compact single and dual packages
- Designed to meet CCITT 7 & FCC
- Recognized by UL 1950

TEST CONDITIONS:

- Inductance -----100KHZ/200mV
- Leakage Inductance -----100KHZ/200mV
- Interwinding Capacitance -100KHZ/200mV



YUAN DEAN SCIENTIFIC



T1 Carrier Interface Transformers

50T SERIES

1.5KVrms Isolation



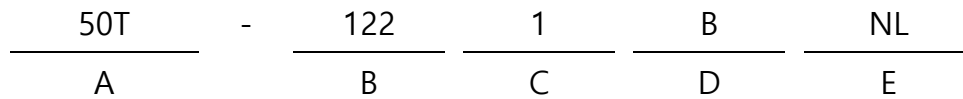
Electrical Specifications@25°C

Part Number	Turns Ratio (±5%)	OCL Pri. (mH min.)	LL (uH max.)	CW/W (pf max.)	DCR Pri. (Ω max.)	DCR Sec. (Ω max.)	Primary Pins
50T-1221BNL	1:1:1(1:2CS)	1.20	0.50	25	0.70	0.70&0.70	1-2
50T-1221DNL	1CT:3CT	1.20	0.50	30	0.70	1.60	1-5
50T-1221ANL	1:1	1.20	0.50	25	0.70	0.70	1-2
50T-1221CNL	1CT:1	1.20	0.80	25	0.70	0.70	1-5
50T-1222ANL	1:1.36	1.20	0.80	35	0.70	0.80	5-6
50T-3012BNL	1.26CS:1 (1:1:1.58)	0.30	0.60	30	0.80	0.60	1-4
50T-8013BNL	1CS:1	0.80	0.60	30	0.80	0.60	1-4
50T-8014BNL	1CS:1.31	0.80	0.40	30	0.80	0.60	1-4
50T-1122DNL	1CT:2CT	1.20	0.55	30	0.70	1.20	1-5
50T-1222CNL	1:2CT	1.20	0.50	40	0.70	1.30	2-6
50T-5011ENL	1:4CT	0.50	1.00	40	0.50	1.50	1-5
50T-1222ENL	1:1.14CT	1.20	0.80	35	0.70	0.80	1-5
50T-1523CNL	1:1.15CT	1.50	0.60	35	0.70	0.90	2-6
50T-1524CNL	1:1/1.26	1.50	0.40	40	0.70	0.90	2-6

Electrical Specifications@25°C

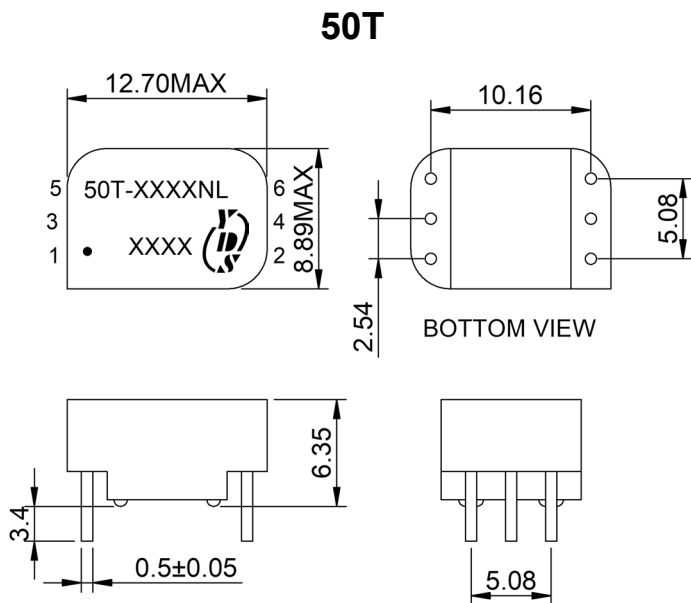
Part Number	Turns Ratio (±5%)	OCL Pri. (mH min.)	LL (uH max.)	CW/W (pf max.)	DCR Pri. (Ω max.)	DCR Sec. (Ω max.)	Primary Pins
50T-1222DNL	1CT:2CT	1.20	0.50	30	0.70	1.20	1-5
50T-1223ENL	1:2.3CT	1.20	0.80	35	0.70	1.40	1-5
50T-1224ENL	1:1.36CT	1.20	0.80	35	0.70	0.90	1-5
50T-1223DNL	1CT:1CT	1.20	0.80	25	0.80	0.80	1-5
50T-7011CNL	1CT:1	0.70	0.70	20	0.20	0.80	1-5
50T-7014ENL	1:1.36CT	0.70	0.70	20	0.50	0.40	1-5
50T-1225CNL	1:1.5CT	1.20	0.60	30	0.70	1.00	2-6
50T-1224DNL	1:1.26CT	1.20	0.80	60	0.90	1.00	2-6

Part Number



- A : Series
- B : Inductance
- C : Sequence id
- D : Schematic
- E : RoHS Version

Mechanicals and Dimensions



Dimensions: $\frac{\text{Inches}}{\text{mm}}$

Unless otherwise specified, all tolerances are ± $\frac{0.10}{0.25}$

Schematics

