

**FEATURES :**

- 20 Watt DIL Package
- 4:1 Wide Input Voltage
- 100% Burned In
- High Efficiency to 87%
- Customized Solutions Available
- Remote Control: On/Off
- UL94V-0 Package Material
- Operating Temperature: -40°C to +82°C
- 3 Years Warranty

YUAN DEAN SCIENTIFIC



Specifications typical at TA=25°C, nominal input voltage and rated output current unless otherwise specified

Part Number	Input Voltage		Input Current (mA TYP)		Output Voltage	Output Current	Efficiency	Capacitor load
	Vdc	No Load	Full Load	Vdc	Full Load (mA)	%TYP	uF MAX	
95DW-24S03R3NL	9-36	60	900	3.3	5500	84	3300	
95DW-24S05R3NL	9-36	60	968	5	4000	86	3300	
95DW-24S12R3NL	9-36	40	970	12	1670	86	330	
95DW-24S15R3NL	9-36	20	966	15	1330	86	330	
95DW-24D05R3NL	9-36	70	900	±5	±2000	84	±2000	
95DW-24D12R3NL	9-36	40	959	±12	±835	87	±330	
95DW-24D15R3NL	9-36	40	944	±15	±665	88	±330	
95DW-48S03R3NL	18-75	30	450	3.3	5500	84	5600	
95DW-48S05R3NL	18-75	30	484	5	4000	86	5600	
95DW-48S12R3NL	18-75	30	485	12	1670	86	680	
95DW-48S15R3NL	18-75	30	483	15	1330	86	680	
95DW-48D05R3NL	18-75	30	496	±5	±2000	84	±3300	
95DW-48D12R3NL	18-75	30	497	±12	±835	84	±220	
95DW-48D15R3NL	18-75	30	483	±15	±665	86	±220	

DC-DC Converter

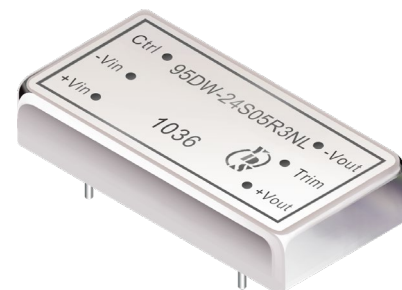
95DW-R3 SERIES

20Watt 1.5KV Isolated

4 : 1 Input Voltage Range

Single & Dual Output

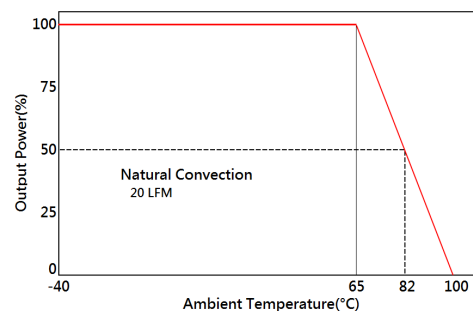
2" x 1"



**Input Specifications**

Parameters	Conditions	Min	Typ	Max	Units
Voltage Types				4:1	
Filter			Pi TYPE		

**Temperature Derating Graph**



www.yds.com.tw



TEL : 886-6-3842899 FAX : 886-6-3843288  
E-MAIL : ydsweb@yds.com.tw

Rev:0 2018/10/31

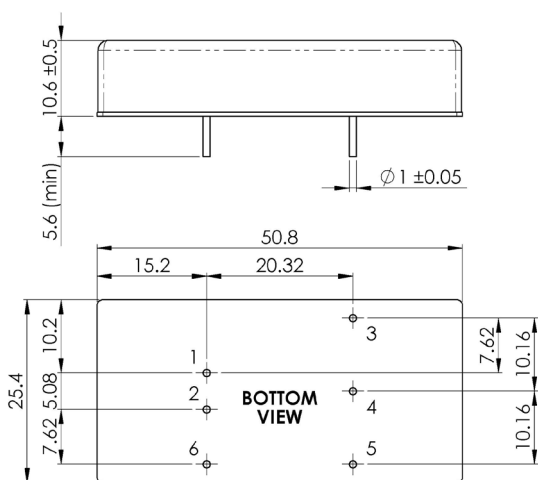
Output Specifications

Parameters	Conditions	Min	Typ	Max	Units
Voltage Tolerance	Full load @Vin(nom.)			±2	%
Short Circuit Protection	Hiccup, automatic recovery				
Line Regulation				±0.5	%
Load Regulation	Single Dual (Balance Load)			±0.5 ±1	%
Cross Regulation	Dual (25% to 100% load)			±5	%
Ripple & Noise	Output:3-15V TYPES BW=DC To 20MHz			100	mVp-p
	Output > 15V TYPES BW=DC To 20MHz			1% of Vout	mVp-p
Transient response setting time	25% load step change		300		us

General Specifications

Parameters	Conditions	Min	Typ	Max	Units
Isolation Voltage			1500		Vdc
Isolation Resistance	500Vdc	1000			MΩ
Switching Frequency			300		KHz
Operating Temperature	With derating	-40		82	°C
Storage Temperature		-55		125	°C
Humidity	Non Condensing	5		95	%
Cooling	Natural Convection (20LFM)				
Case material	Nickel coated copper with no-conductive base				
MTBF	MIL-HDBK-217F @25°C	659000			Hours
Weight			32.6		g
Dimensions			50.8x25.4x10.6		mm

Dimensions



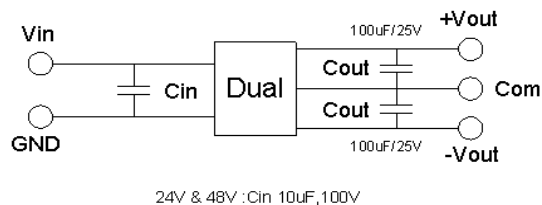
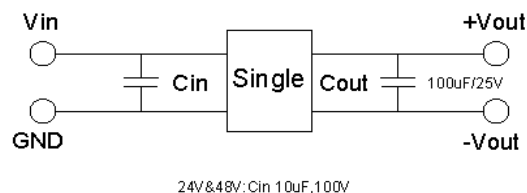
Unit : mm  
Tolerance : XX.X ± 0.5 , XX.XX ± 0.25

Part Number

**95DW- 24 S 05 R 3 NL**  
**A B C D E F G**

- A: Series**
- B: Input Voltage**
- C: Single Output**
- D: Output Voltage**
- E: Regulated(R)**
- F: Package**
- G: RoHs Version**

Recommended Test Circuit



PIN Assignment

Pin	1	2	3	4	5	6
Single	+Vin	-Vin	+Vout	Trim	-Vout	Remote On/Off
Dual	+Vin	-Vin	+Vout	Com	-Vout	Remote On/Off