

FEATURES:

- Cost-effective designs
- SEMI-Encapsulated construction
- Maximum operation temperature of 130°C (Ambient+Rise)
- A 2:1 Inductance swing from zero to maximum current
- Recognized by UL 60950-1

TEST CONDITIONS:

- Inductance-----10KHz/20mV



YUAN DEAN SCIENTIFIC



Toroidal Inductor

98T SERIES

High Current



Electrical Specifications@25°C

Reference Operating Values						Design Control Values				
Part Number	Inductance Typical (μH)	Idc (amps)	ETop (v-μsec)		Energy Storage (μ j min)	Inductance No DC (μH±20%)	50KHz Test mv No DC	DCR (ΩMax)	Size Code	Lead Diameter (in±.003)
			20KHz	40KHz						
98T-1703NL	17.0	17.0	190	130	2460	40.0	140	0.0065	A	0.081
98T-4303NL	43.0	10.0	280	195	2150	85.5	210	0.018	A	0.057
98T-9004NL	90.0	10.0	430	300	4500	158.0	420	0.028	B	0.057
98T-9803NL	98.0	6.0	400	280	1765	188.0	310	0.048	A	0.040

www.yds.com.tw

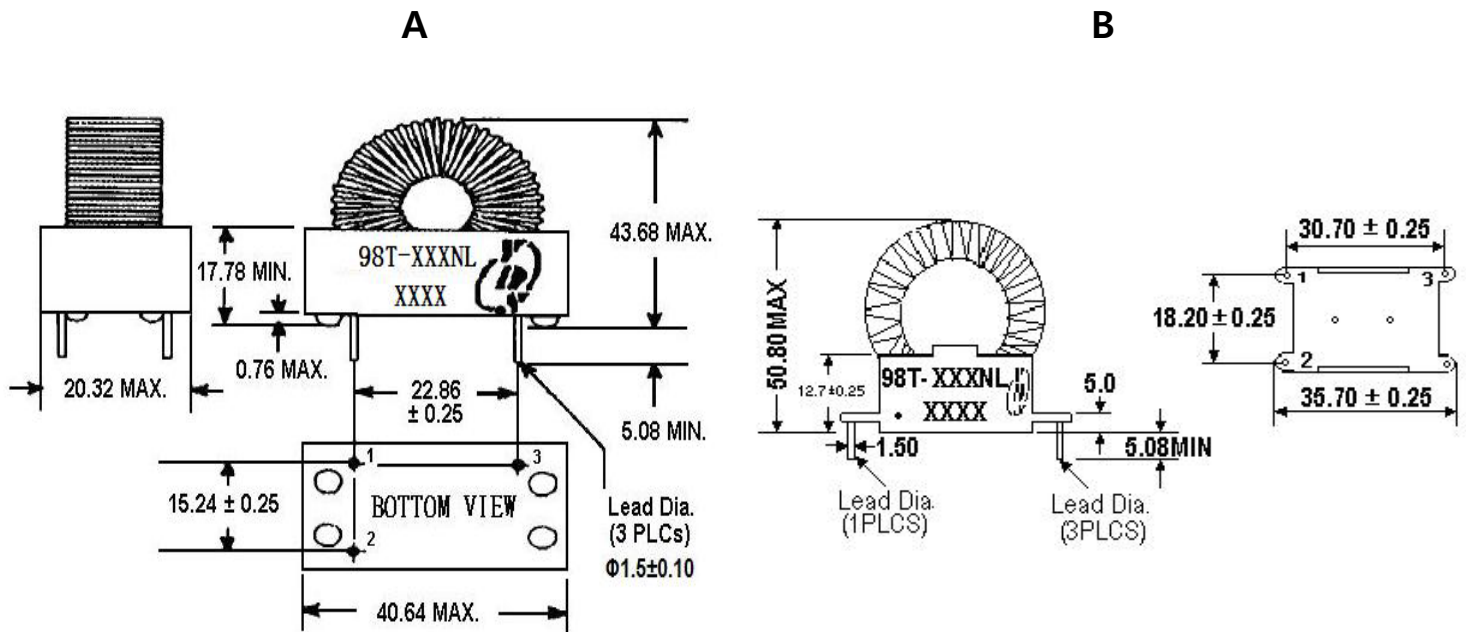


TEL: 886-6-3842899 FAX: 886-6-3843288

E-MAIL: ydsweb@yds.com.tw

Rev: 1 2018/11/15

Mechanicals and Dimensions



Dimensions: inches/mm

Unless otherwise specified, all tolerances are ±.010/±0.25