

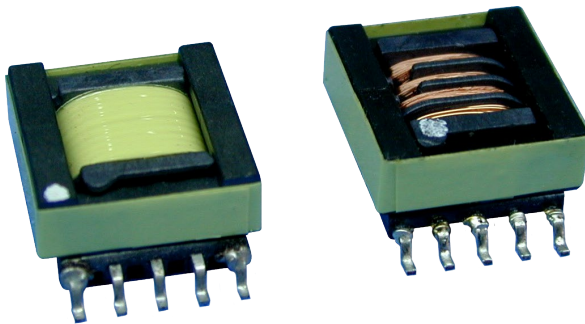
FEATURES:

- High Frequency Power Transformer
- High Frequency Switching Transformer
- Current Sensors
- Wide Variety of Other Size and Values Available

YUAN DEAN SCIENTIFIC



High Frequency
Transformers
EPC SERIES



Part Number

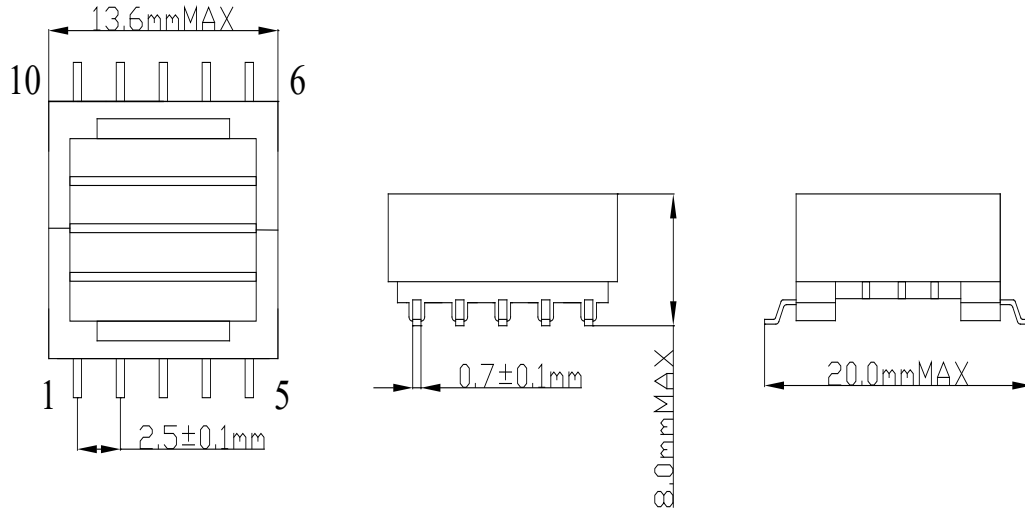
13	EPC	-	430	2	B	NL
A			B	C	D	E

- A : Series S:SMD/NO S:DIP
- B : Inductance
- C : Sequence id
- D : Schematics
- E : RoHS Version



Mechanicals and Dimensions

A



B

