

## FEATURES:

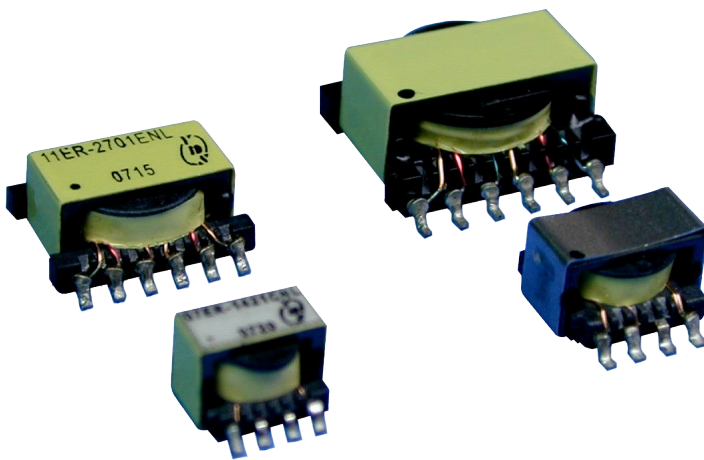
- High Frequency Power Transformer
- High Frequency Switching Transformer
- Inductors Transformer
- Wide Variety of Other Sizes and Values Available

YUAN DEAN SCIENTIFIC



# High Frequency Transformers

## ER SERIES



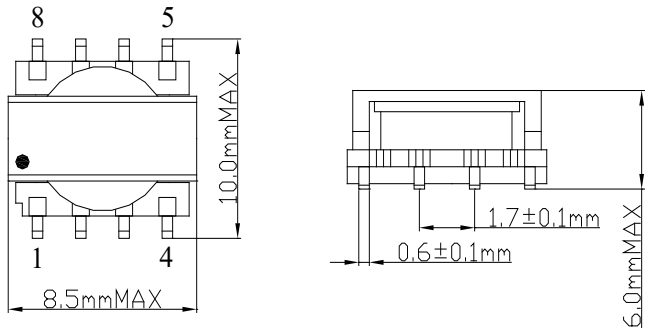
### Part Number

07ER	-	142	1	C	NL
A		B	C	D	E

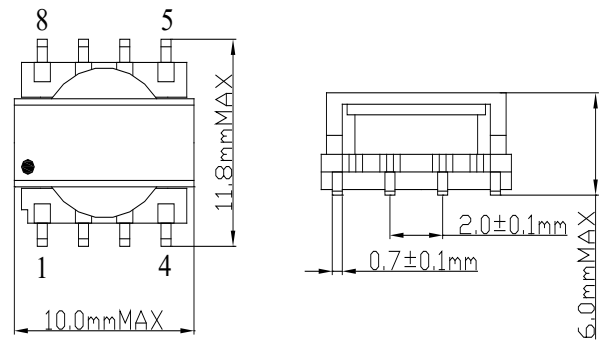
- A : Series  
 B : Inductance  
 C : Sequence id  
 D : Schematics  
 E : RoHS Version

Mechanicals and Dimensions

07ER

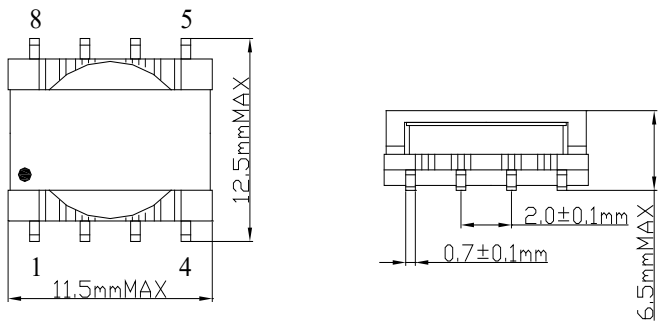


09ER

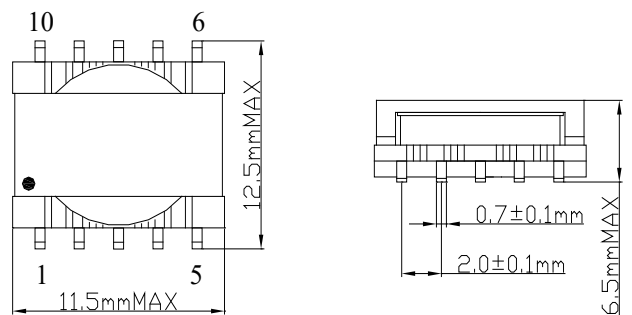


11ER

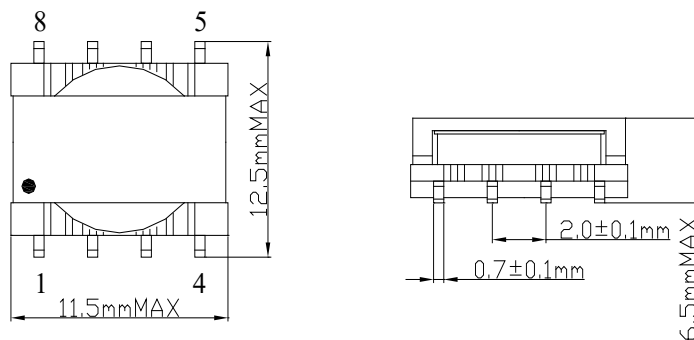
A



B



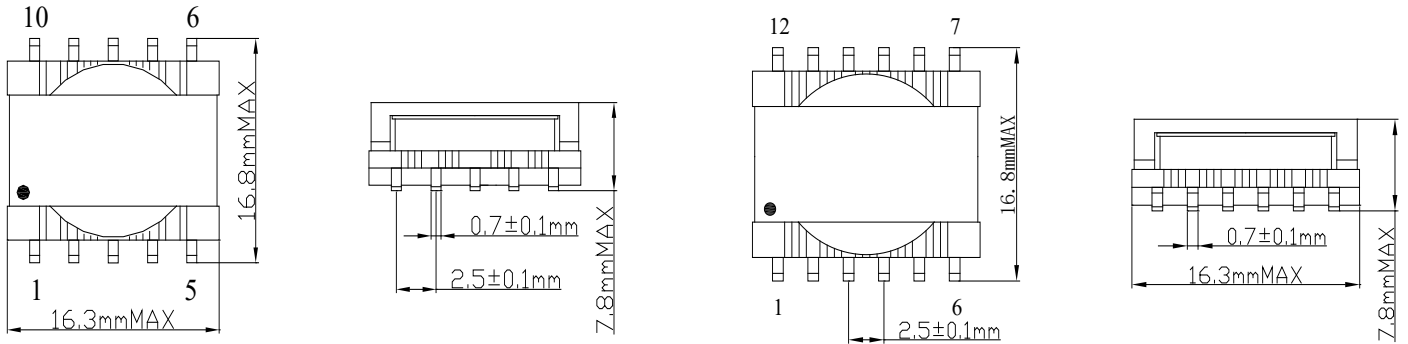
C



14ER

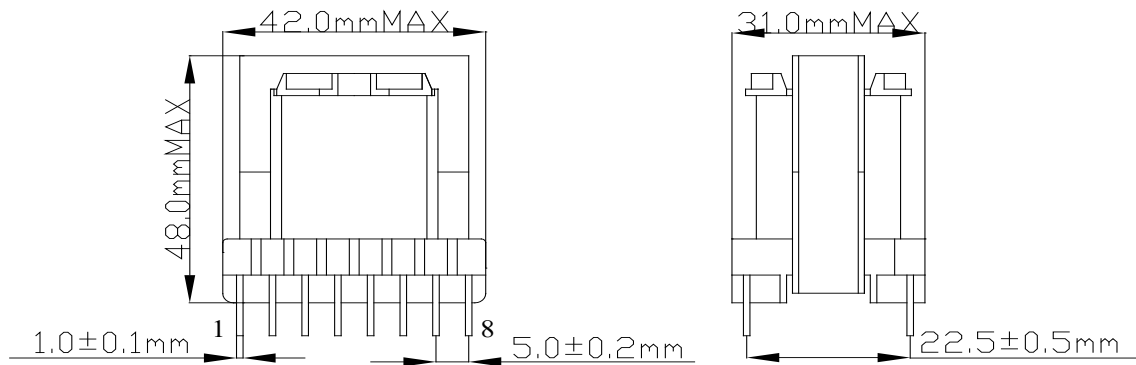
A

B



35ER

A



B

