

FEATURES :

- Universal Input 90~264VAC
- High Efficiency Up To 85%
- Protection: Short Circuit /Overload/Over Voltage
- Fully Encapsulated Plastic Case
- Internal Input Filter
- 3 Years Warranty
- ROHS Compliant

Specifications typical at TA=25°C, nominal input voltage and rated output current unless otherwise specified

Part Number	Output Wattage	Output Voltage	Output Current	Ripple & Noise	Efficiency
	(W)	(VDC)	(mA)	(mV) max (Note1)	(TYP %)
GA025-S03-14	14.0	3.3	4240	150	75
GA025-S05-XX	20.0	5	4000	150	75
GA025-S06-XX	24.0	6	4000	150	78
GA025-S07-XX	21.0	7	3000	150	78
GA025-S08-XX	24.0	8	3000	150	78
GA025-S09-XX	22.5	9	2500	150	78
GA025-S10-XX	25.0	10	2500	150	78
GA025-S12-XX	25.0	12	2100	150	80
GA025-S13-XX	25.0	13	1920	150	80
GA025-S14-XX	25.0	14	1780	150	80
GA025-S15-XX	25.0	15	1665	200	82
GA025-S16-XX	25.0	16	1560	200	82
GA025-S18-XX	25.0	18	1385	200	82
GA025-S24-XX	25.0	24	1040	240	85
GA025-S27-XX	25.0	27	925	240	85
GA025-S36-XX	25.0	36	695	240	85
GA025-S48-XX	25.0	48	520	240	85

NOTE: XX=TWO digit representing the output power(w), E.g: 25W=GA025-S14-25, GA025-S27-25 ; 20W=GA025-S05-20 ; 24W=GA025-S06-24,GA025-S08-24



AC-DC Converter

GA025-SXX SERIES

14~25Watt

3KV Isolated

Single Output

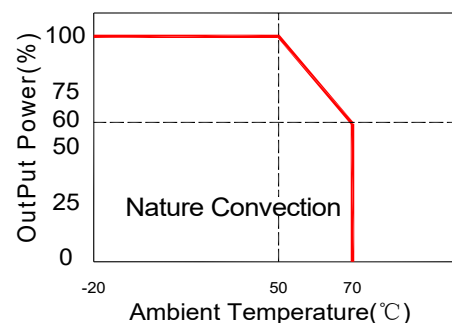
Module



Input Specifications

Parameters	Conditions	Min	Typ	Max	Units
Rated Input Voltage	Vo, Io nom		100~240		Vac
Voltage Range	Vo, Io nom	AC in	90	264	Vac
		DC in	120	370	Vdc
Line Frequency	Vi nom, Io nom	47	50/60	63	Hz
Inrush Current	Io nom	Vi:115VAC		12	A
		Vi:230VAC		20	A
Input Fuse	VDE/UL/CCC FUSE 2.5A/250V (Slow blow)				

Temperature Derating Graph



www.yds.com.tw



TEL : 886-6-3842899 FAX : 886-6-3843288
E-MAIL : ydsweb@yds.com.tw

Rev:1 2018/08/17

Output Specifications

Parameters	Conditions	Min	Typ	Max	Units
Output Voltage Accuracy	Vi nom, lo nom (Single output)	3.3V...9V Models		±3	%
		10...48V Models		±2	%
Minimum Load	Vi nom	Single Output Models		0	%
Line Regulation	lo nom, Vi min...Vi max		±1		%
Load Regulation	lo min~lo nom	Single Output Models		±2	%
Transient Recovery time	Vi nom, lo nom = ↔0.5 lo nom		1000		us
Protection	Over load	Above 110% rated output power			
		Protection type: Recovers automatically after fault condition is removed			
	Short circuit	Recovers automatically after fault condition is removed			
Over Voltage (Main Output)	120%-150% rated output Voltage				
	Protection type: Zener diode clamp				

Note :

Ripple & noise is measured by using 20 MHz bandwidth, measured with a 47uf paralleled with a high-frequency 0.47uf capacitor across each output by full load.

General Specifications

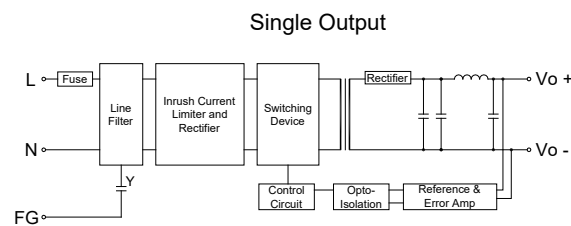
Parameters	Conditions	Min	Typ	Max	Units
Switching Frequency	Vi nom, lo nom		65		KHz
Isolation Voltage	Input / Output	3KVac/ 5mA/5Secs			
Isolation Resistance	Input / Output, @500 Vdc	100			MΩ
Operating Temperature	Operating at Vi nom, lo nom	-20		+70	°C
Derating	Vi nom, lo nom+51 to 71°C			2	%/°C
Storage Temperature	Non Operational	-40		+85	°C
Relative Humidity	Vi nom, lo nom			95	% RH
Safety Standards	UL60950-1, EN62368-1 approved				
EMI Conduction & Radiation	Compliance to EN55032				
EMS Immunity	Compliance to EN55024				
Dimension	L76.2x W50.8 x H25.4mm L3.0x W2.0 x H1.0 inches				
Cooling	Free air convection				

Part Number

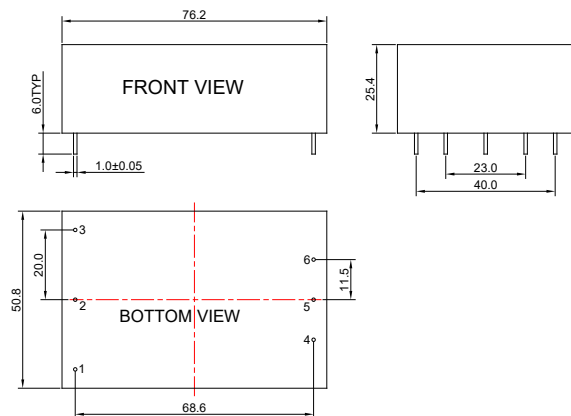
GA025 S 05 - XX
A B C D

A: Series
B: Single Output
C: Output Voltage
D: Output Watt

Circuit Schematic(1)



Markings and Dimensions



Unit : mm Unless otherwise specified, all tolerances are ±0.50

PIN	Model
1	Single
2	FG
3	ACN
4	ACL
5	-Vo
6	NO PIN
	+Vo

