

FEATURES :

- Universal Input 90~264VAC
- High Efficiency Up to 85%
- Protection: Short Circuit /Overload/Over Voltage
- Meet EMI EN55022 & EMS EN55024 standard
- Internal Input Filter
- 3 Years Warranty
- ROHS Compliant

Specifications typical at TA=25°C, nominal input voltage and rated output current unless otherwise specified

Part Number	Output Wattage	Output Voltage	Output Current	Ripple & Noise	Efficiency
	(W)	(VDC)	(mA)	(mV) max(Note)	(TYP %)
GB015-S03	10	3.3	3000	100	70
GB015-S05	15	5	3000	100	75
GB015-S12	18	12	1500	100	80
GB015-S15	18	15	1200	150	82
GB015-S24	19	24	800	240	83
GB015-S48	19	48	400	240	85

Input Specifications

Parameters	Conditions	Min	Typ	Max	Units
Rated Input	Vo, Io nom		100~240		Vac
Voltage Range	Vo, Io nom	AC in	90	264	Vac
		DC in	120	370	Vdc
Line Frequency	Vi nom, Io nom	47	50/60	63	Hz
Inrush Current	Io nom	Vi:115VAC		10	A
		Vi:230VAC		20	A
Input Fuse	VDE/UL/CCC FUSE 2.5A/250V (Slow blow)				

Output Specifications

Parameters	Conditions	Min	Typ	Max	Units
Output Voltage Accuracy	Vi nom, Io nom (Single output)	3.3V,5V Models		±3	%
		12...48V Models		±2	%
Minimum Load	Vi nom, Single Output Models	0			%
Line Regulation	Io nom, Vi min...Vi max		±1		%
Load Regulation	Io min~Io nom, Single Output Models		±2		%
Transient Recovery time	Vi nom, Io nom = ↔0.5 Io nom		1000		us
Protection	Over Load	Above 110% rated output power			
		Protection type: Recovers automatically after fault condition is removed			
		Over Voltage		120%-150% rated output Voltage	
		Protection type: Zener diode clamp			
	Short circuit	Recovers automatically after fault condition is removed			

Note : Ripple & noise is measured by using 20 MHz bandwidth, measured with a 47uf paralleled with a high-frequency 0.47uf capacitor across each output by full load.

YUAN DEAN SCIENTIFIC



AC-DC Converter

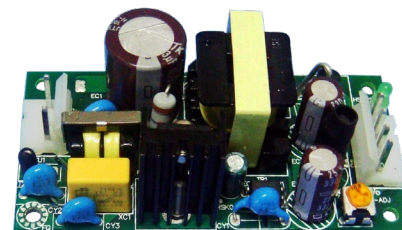
GB015 SERIES

10~19Watt

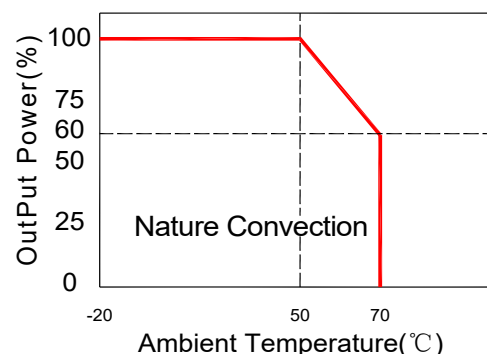
3KVac Isolated

Single Output

Open Frame



Temperature Derating Graph



www.yds.com.tw



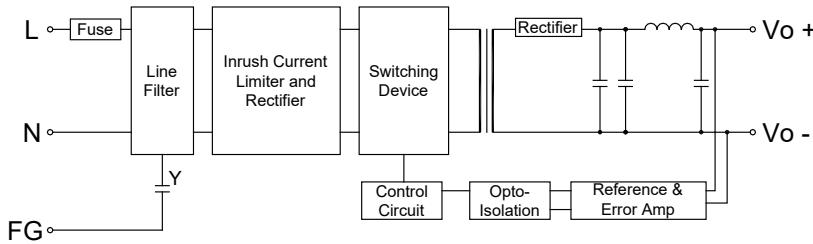
TEL : 886-6-3842899 FAX : 886-6-3843288
E-MAIL : ydsweb@yds.com.tw

Rev:0 2017/12/26

General Specifications

Parameters	Conditions	Min	Typ	Max	Units
Switching Frequency	Vi nom, Io nom		65		KHz
Isolation Voltage	Input / Output	3KVac/ 5mA/5Secs			
Isolation Resistance	Input / Output,@500 Vdc	100			MΩ
Operating Temperature	Operating at Vi nom, Io nom	-20		+70	°C
Derating	Vi nom, Io nom+51 to 71°C			2	%/°C
Storage Temperature	Non Operational	-40		+85	°C
Relative Humidity	Vi nom, Io nom			95	% RH
Safety Standards	EN60950-1 approved				
EMI Conduction & Radiation	Compliance to EN55022				
EMS Immunity	Compliance to EN55024				
Dimension	L80 x W40 x H24MAX				mm
Cooling	Free air convection				

Circuit Schematic

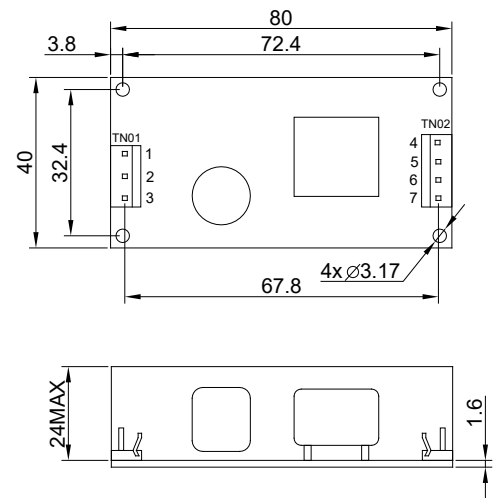


Part Number

G B 015 - S 05
A B C D E

- A : Series
- B : Open Frame
- C : Output Watt
- D : Single Output
- E : Output Voltage

Markings and Dimensions



Unit : mm

Unless otherwise specified, all tolerances are ±0.50

Notes:

1. Input connector mates with Molex housing 09-50-3031 and Molex 2478 series crimp terminal.
2. Output connector mates with Molex housing 09-50-3041 and Molex 2478 series crimp terminal.

TN01	Model
PIN	Single
1	ACL
2	No PIN
3	ACN
TN02	
4	+Vo
5	+Vo
6	-Vo
7	-Vo