

**FEATURES :**

- Universal Input 90~264VAC
- High Efficiency at 89% Typical
- Protection: Short Circuit /Overload/Over Voltage
- Power Factor Correction
- Internal Input Filter
- 3 Years Warranty

Specifications typical at TA=25°C, nominal input voltage and rated output current unless otherwise specified

Part Number	Output Voltage	Output Current	Ripple & Noise	Efficiency	Output Power(W)
	V	MAX	mVp-p(Max) (note)	%(TYP)	Rated
GB100-S03	3.3	20A	100	75	66
GB100-S05	5	16.0A	100	80	80
GB100-S12	12	8.3A	100	88	100
GB100-S15	15	6.67A	150	88	100
GB100-S24	24	4.16A	150	88	100
GB100-S36	36	2.78A	240	88	100
GB100-S48	48	2.08A	240	89	100

**Input Specifications**

Parameters	Conditions	Min	Typ	Max	Units
Rated input voltage	lo nom		100-240		Vac
Voltage Range	lo nom	90		264	Vac
	lo nom	127		370	Vdc
Frequency		47	50/60	63	Hz
Inrush Current	At 100Vac			30	A
	At 240Vac			60	A
Input Over-Current Protection	VDE/UL/CCC FUSE 3.15A/250V				
Power Factor	PF> 0.93 / 230Vac PF> 0.98 / 115Vac at full load				

YUAN DEAN SCIENTIFIC



AC-DC Converter

**GB100 SERIES**

100Watt

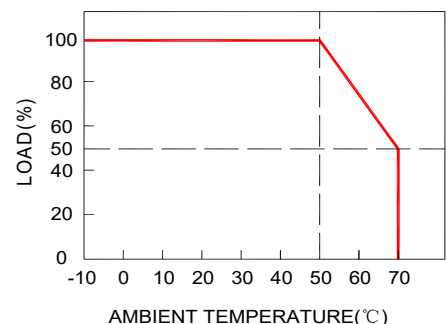
3KVac Isolated

Single Output

Open Frame



**Derating Curve**



[www.yds.com.tw](http://www.yds.com.tw)



TEL : 886-6-3842899 FAX : 886-6-3843288  
E-MAIL : ydsweb@yds.com.tw

Rev:1 2018/07/13

Output Specifications

Parameters	Conditions	Min	Typ	Max	Units
Output Voltage Accuracy	Vi nom, 3.3V,5V Models			±3	%
	lo nom, 12...48V Models			±2	%
Minimum Load	Vi nom	0			%
Line Regulation	lo nom, Vi min...Vi max		±1		%
Load Regulation	Vi nom, lo nom...lo nom		±3		%
Protection	Overload	115% -150% rated output power			
		Protection type: Shut off o/p voltage, re-power on to recover			
	Over Voltage	120%-150% rated output Voltage			
Protection type: Shut off o/p voltage, re-power on to recover					
Short circuit	Protection type: Shut off o/p voltage, re-power on to recover				

**Note :**  
Ripple & noise is measured by using 20 MHz bandwidth, measured with a 47uf paralleled with a high-frequency 0.47uf capacitor across each output by full load.

General Specifications

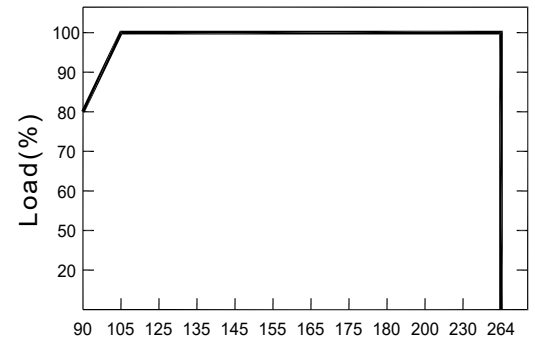
Parameters	Conditions	Min	Typ	Max	Units
MTBF	MIL-HDBK-217F(25°C)	100,000			Hrs
Isolation Voltage	Input To Output	3000V AC 5mA/5Secs			
	Input To Ground	1500V AC 5mA/5Secs			
	Output To Ground	500V AC 5mA/5Secs			
Size		127x76.2x35.56(5.0x3.0x1.4)			mm (inches)
Weight			345		g
Operating Temperature	With Derating	-10		+70	°C
Storage Temperature		-45		+85	°C

Part Number

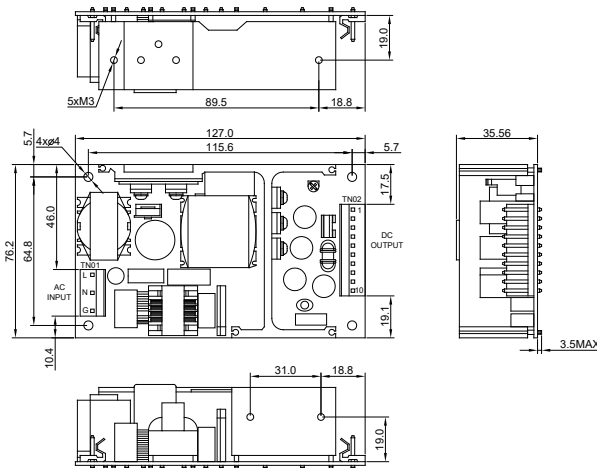
GB100 - S 03  
A B C

A : Series  
B : Single Output  
C : Output Voltage

Output Derating VS Input Voltage



Markings and Dimensions



Notes:

- Input connector mates with Molex housing 09-50-3051 and Molex 2478 series crimp terminal.
- Output connector mates with Molex housing 09-50-3101 and Molex 2478 series crimp terminal.

TN01	Models
1	ACL
2	NO PIN
3	ACN
4	NO PIN
5	FG
TN02	
Pins	Single
1	+Vo
2	+Vo
3	+Vo
4	+Vo
5	+Vo
6	-Vo
7	-Vo
8	-Vo
9	-Vo
10	-Vo

UNIT: mm, unless otherwise specified, all tolerances are ±0.50

